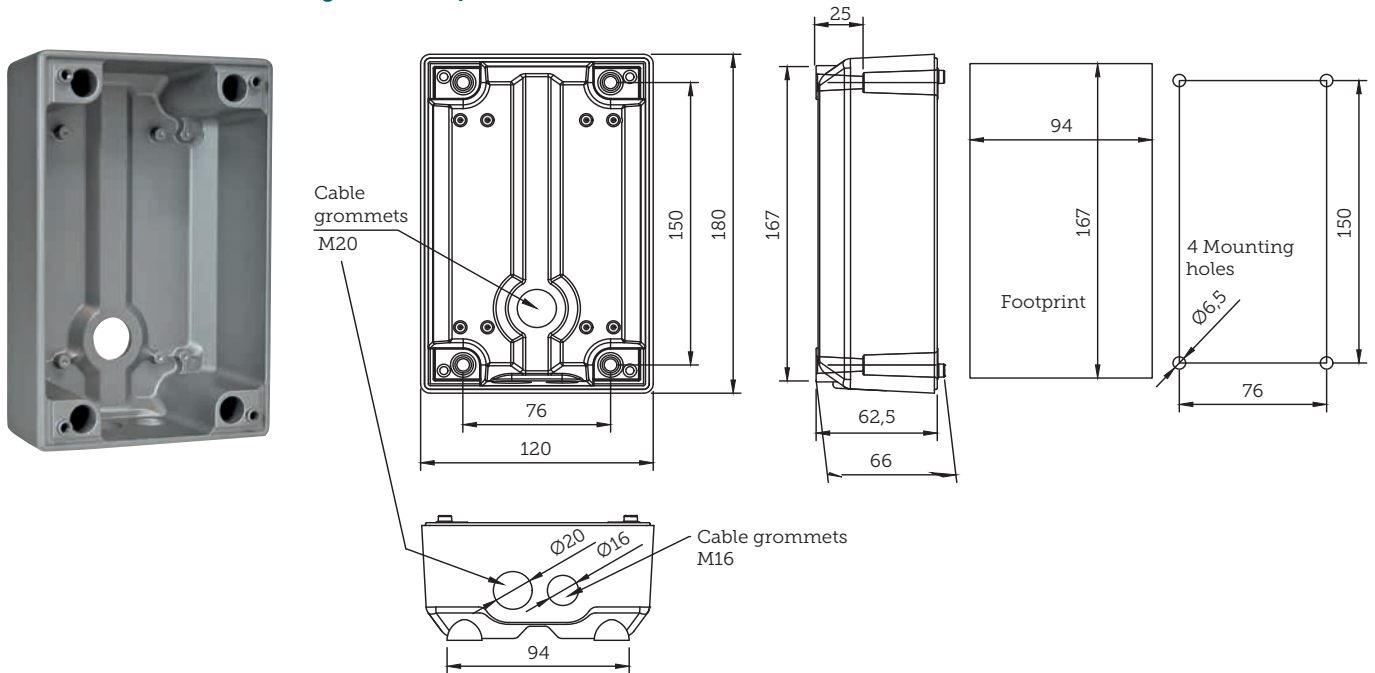


STENTOFON

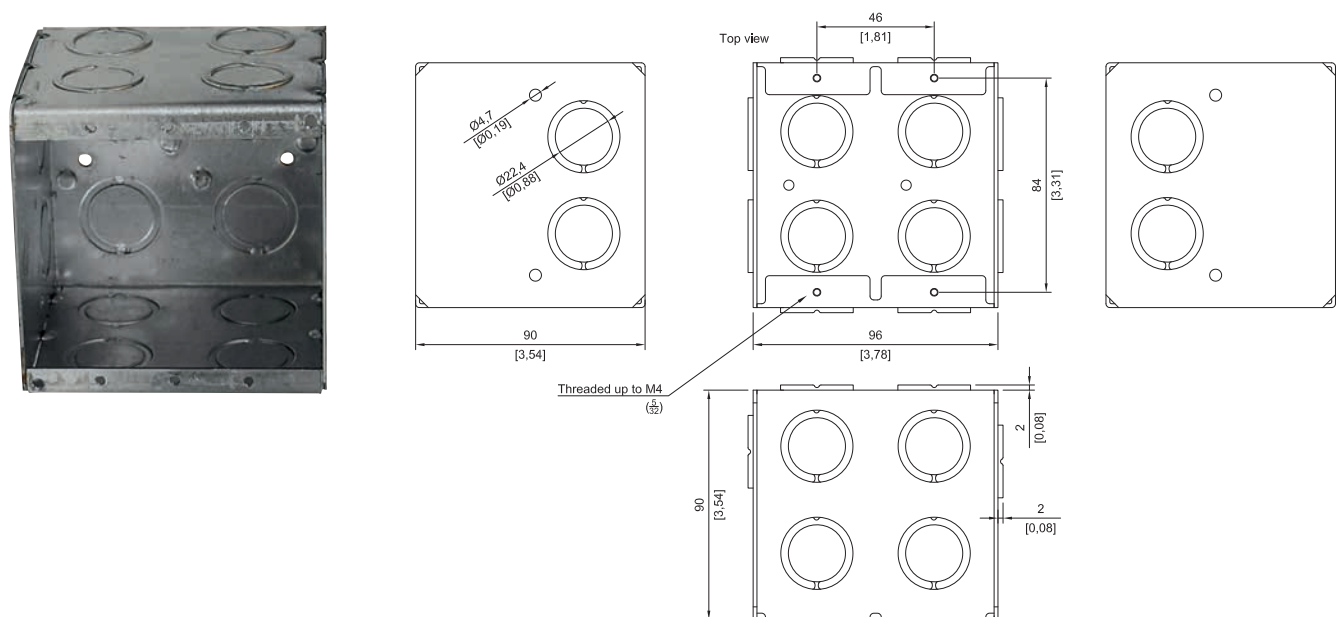
Accessories

TA-1 - For on-wall mounting of all Compact Stations



Specifications	
Dimension (WxLxD)	120 x 180 x 62mm
Weight	0.8 kg
Article number	6-031208-0004-000

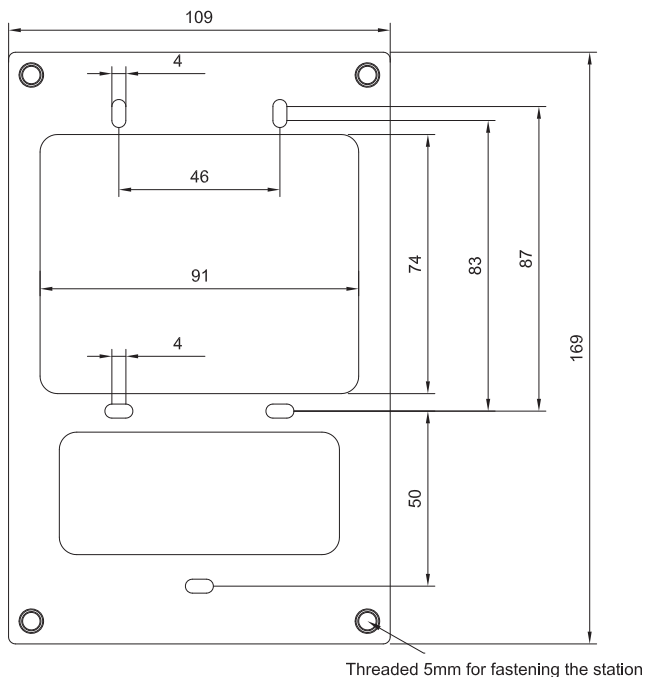
TA-2 -Compact Flush-mount



Specifications	
Dimension (WxHxD)	96 x 96 x 64 mm
Weight	0.4 kg
Article number	6-031208-0007-000

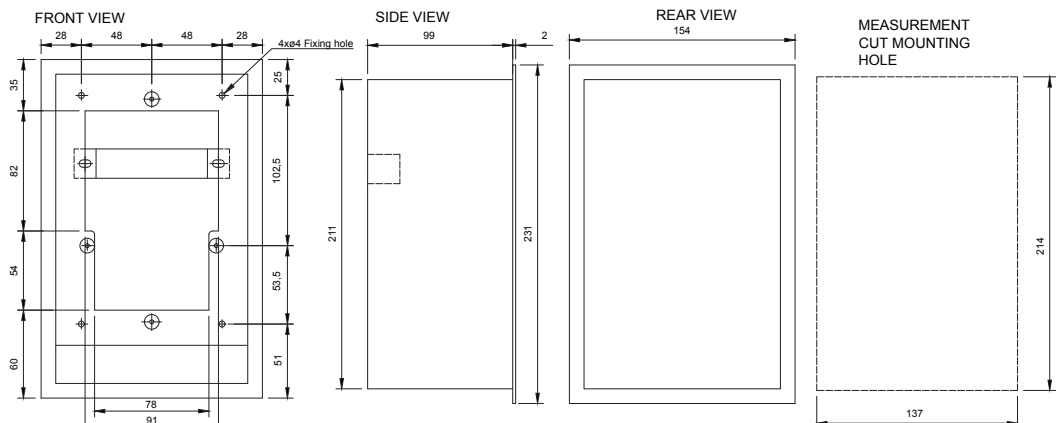


TA-5 - Bracket for Flush-mount BoxTA-2



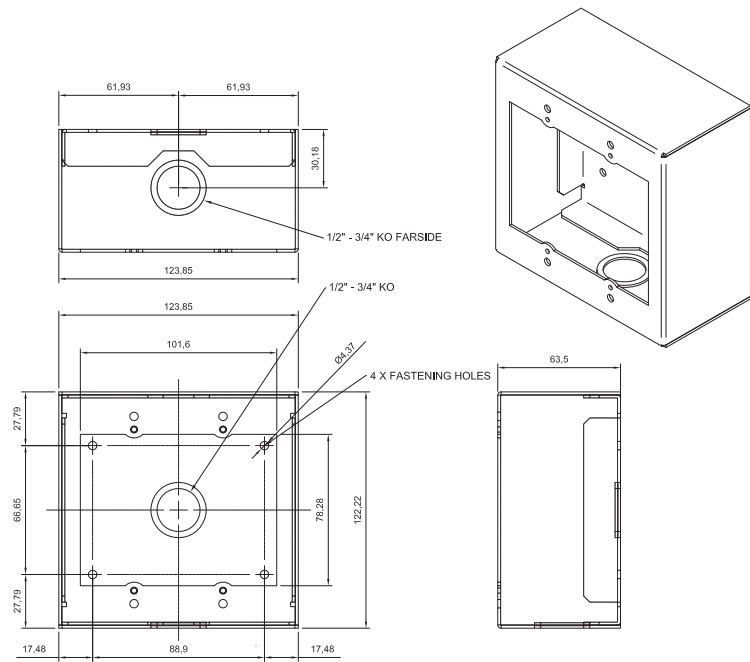
Specifications	
Dimension (WxHxD)	169 x 109 x 10 mm
Weight	0.2 kg
Article number	6-031208-0008-000

TA-18 - Compact Flush-mount Box



Specifications	
Size (WxHxD)	150 x 232 x 101 mm
Weight	1.5 kg
Article number	6-031208-0004-000

TA-13 - Flush-mount Box



Specifications

Size (WxHxD)	123,85 x 122,22 x 63,5 mm
Article number	6-031208-0014-000