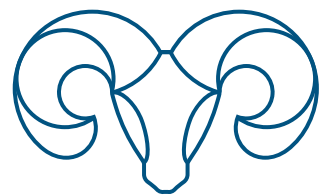


# MODULAR ISLANDS



**ALPHATRONICS**

innovators in access technology

- Modular islands are made from 3 mm galvanized steel
- A traffic island can be extended indefinitely in length
- Traffic islands are filled with concrete and equipped with one or more bollards to protect the equipment
- By using the pre-formed elements, you ensure efficient installation
- Time and cost-saving due to quick and accurate assembly
- Top and middle pieces with a width of 600 mm are available from stock



Our modular traffic islands, also known as median guides, are your convenient solution for quickly and efficiently installing barriers and control columns.

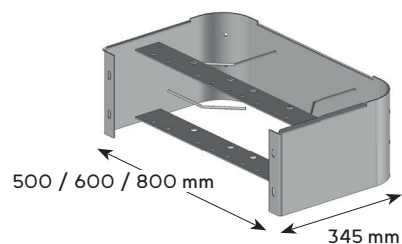
In addition, they serve as physical markers for separating road traffic.

An Alphatronics traffic island consists of galvanized head and middle sections on which barriers, columns, traffic lights, etc., can be mounted.

For applications with a high volume of truck traffic, a traffic island can be built up to a maximum of 4 modules in height. This increases visibility and safety for truck drivers when approaching a barrier or control column.

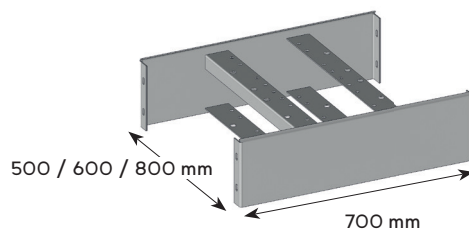
## TOP PIECE

- Possibility to connect these together
- Pre-formed clamps for bollards are provided
- L x H x W: 345 x 200 x 500, 600 or 800 mm
- Made of galvanized steel - 3 mm thick



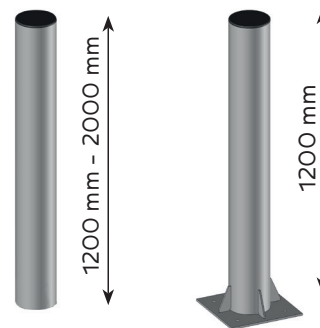
## MIDDLE PIECE

- Indefinitely extendable in length
- Equipped with perforations for easy installation of columns, kiosks, and barriers
- L x H x W: 700 x 200 x 500, 600 or 800 mm
- Made of galvanized steel - 3 mm thick



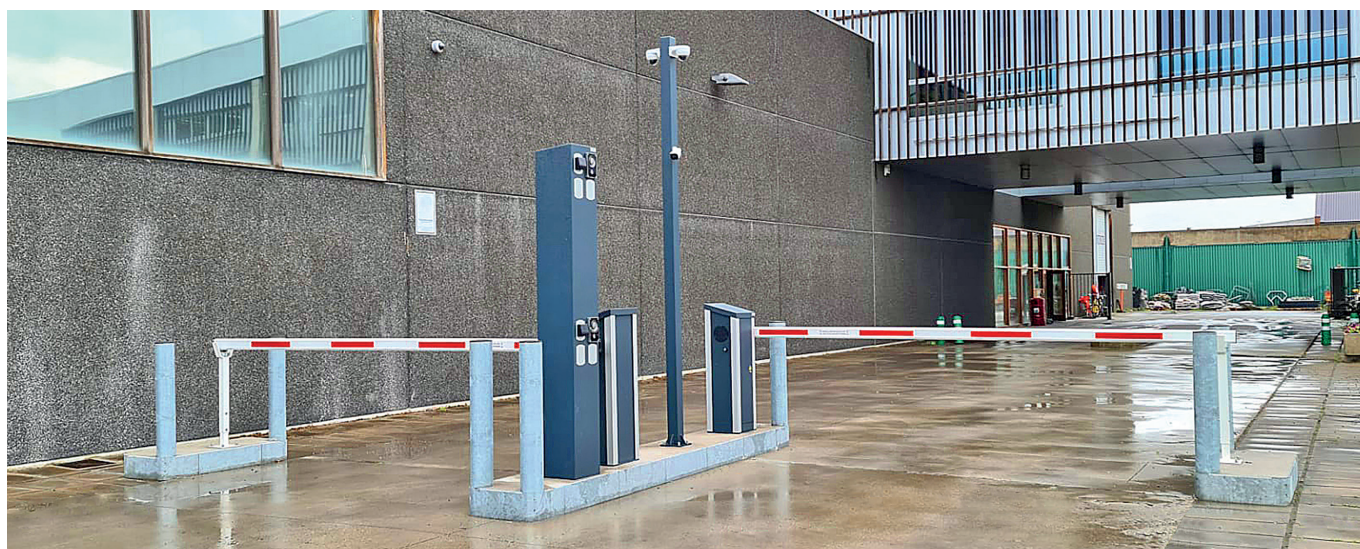
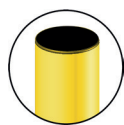
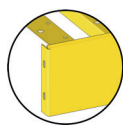
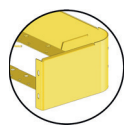
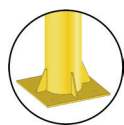
## BOLLARD

- Thick-walled pipe (4 mm) -  $\phi$ 159 mm
- Available in 2 heights: 1200 or 2000 mm
- Galvanized steel.
- Also available with base plate



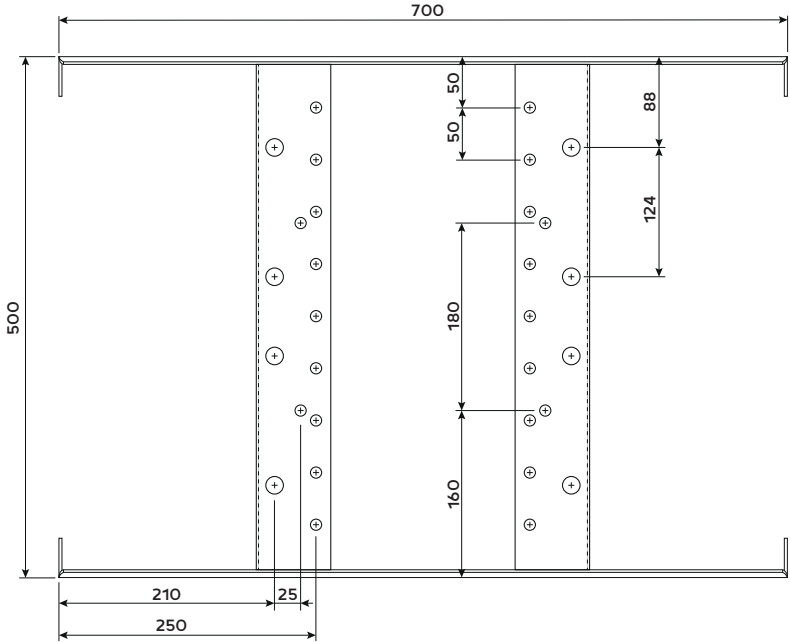
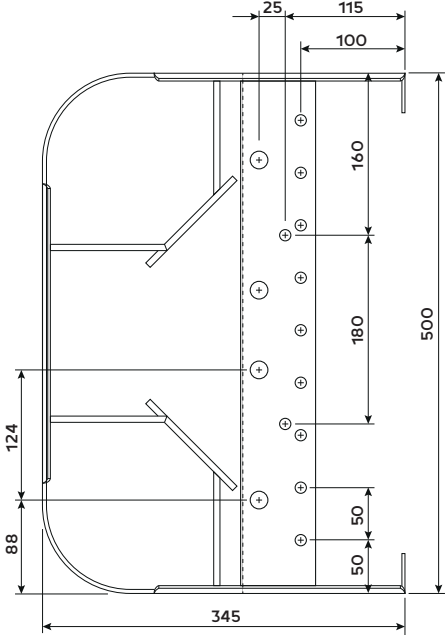
## OPTIONAL

- Custom sizes
- End cap for bollard
- Painted in safety color RAL1023

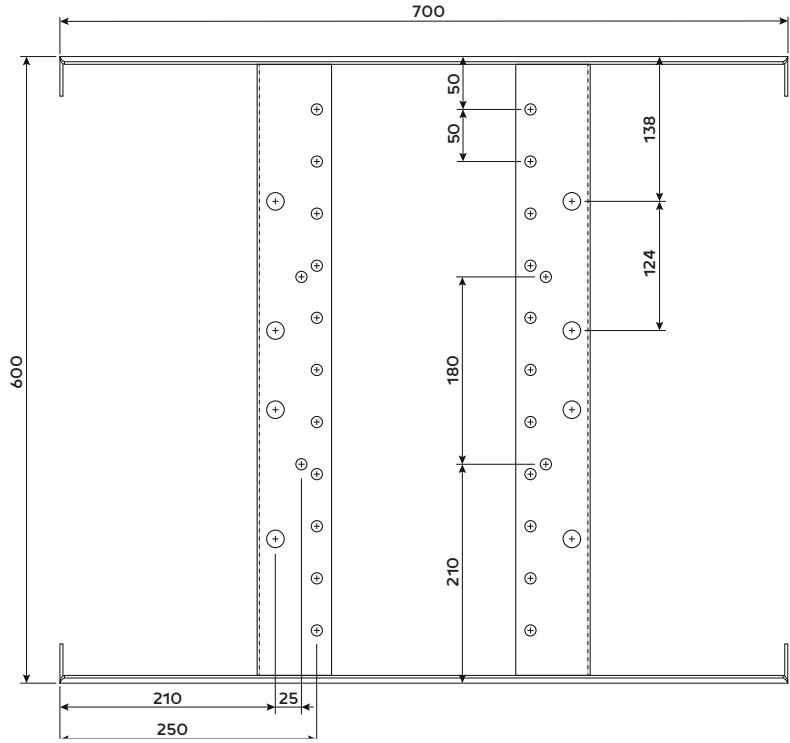
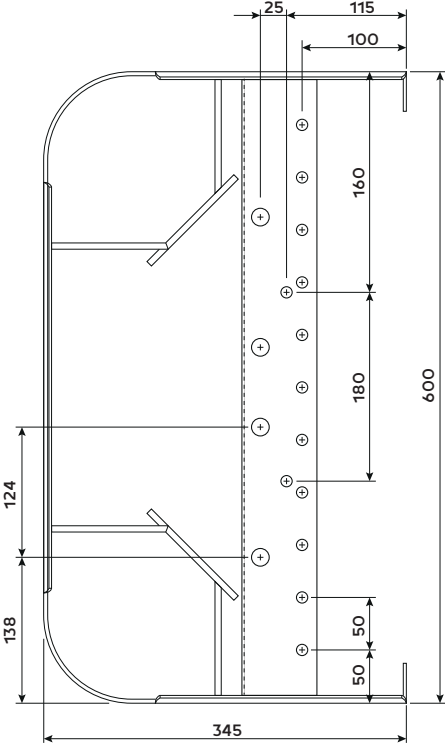


# TECHNICAL DIMENSIONS

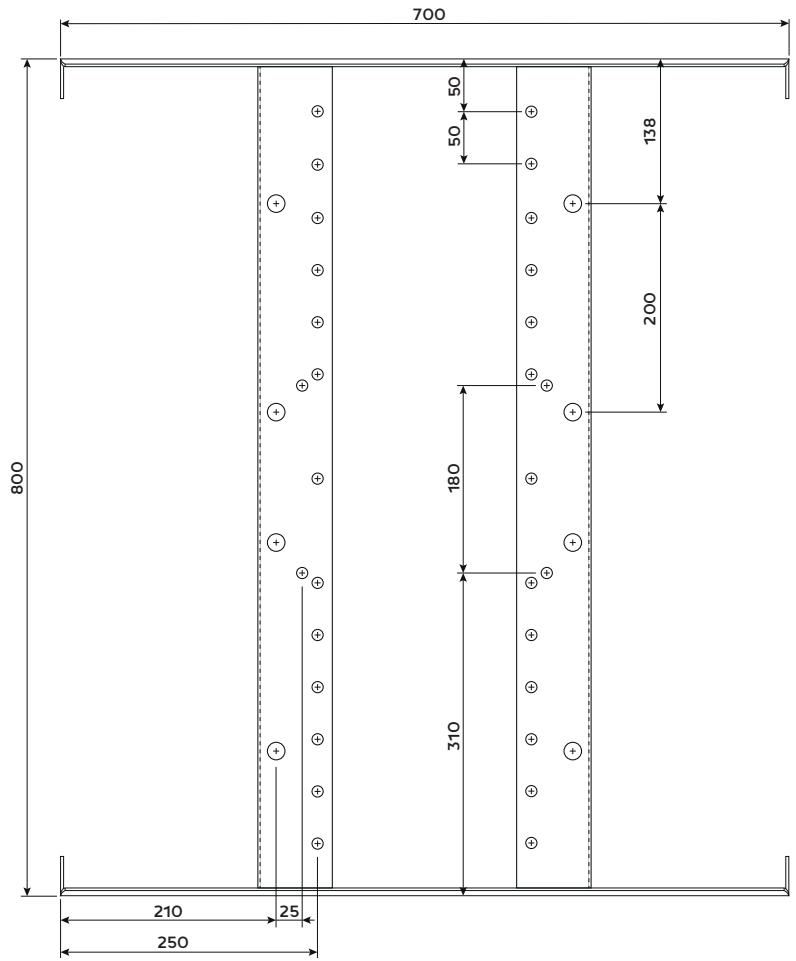
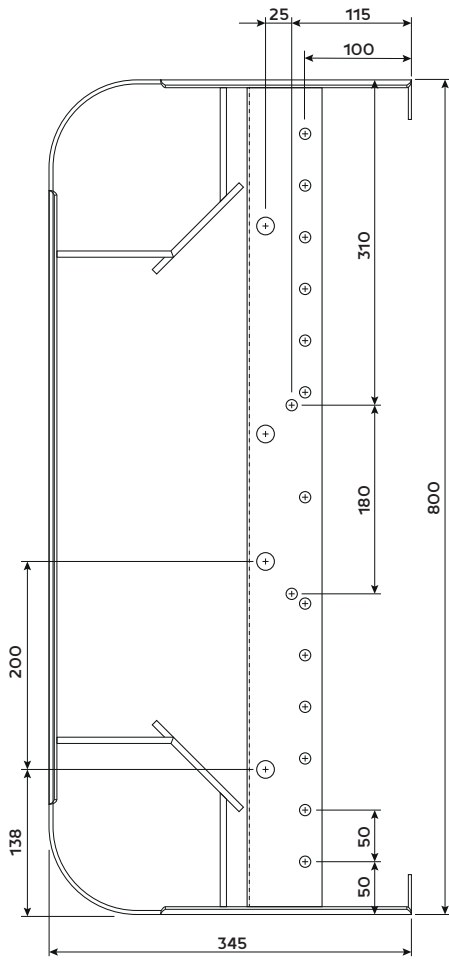
## 500 mm



## 600 mm

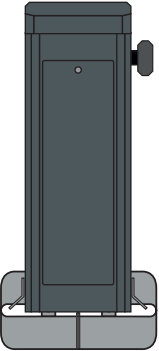


800 mm

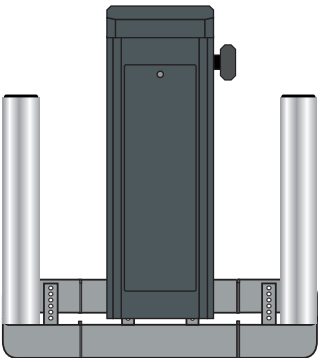


# EXAMPLES

## TRAFFIC ISLAND FOR BARRIER

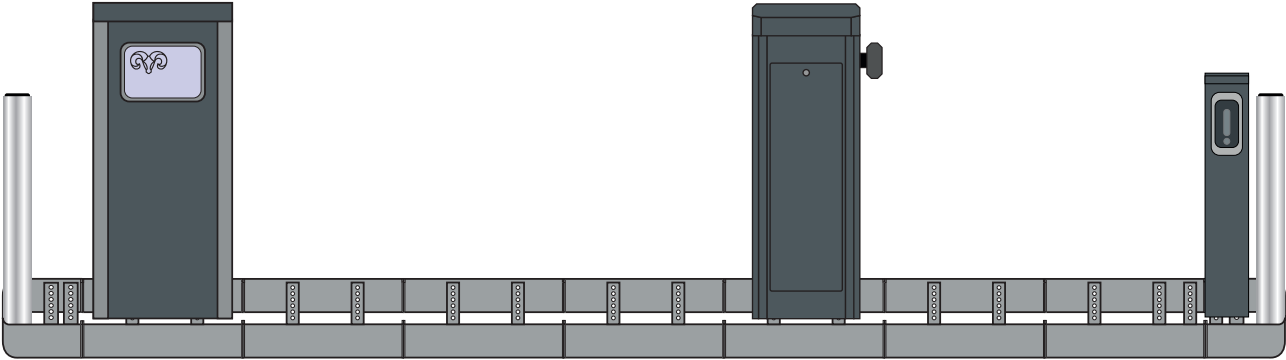


2 top pieces  
Length = 690 mm



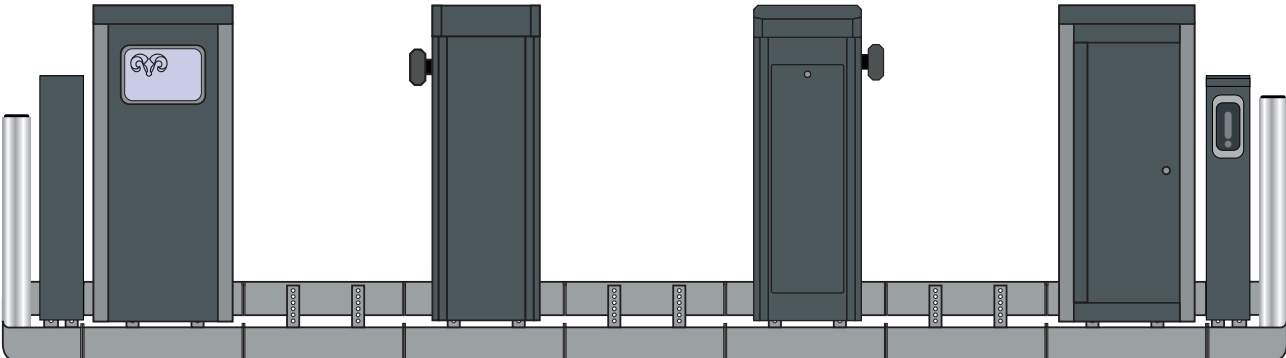
2 top pieces + 1 middle piece  
Length = 1390 mm

## TRAFFIC ISLAND WITH 2 BOLLARDS, AN ENTRY COLUMN, A BARRIER, AND AN ANPR COLUMN

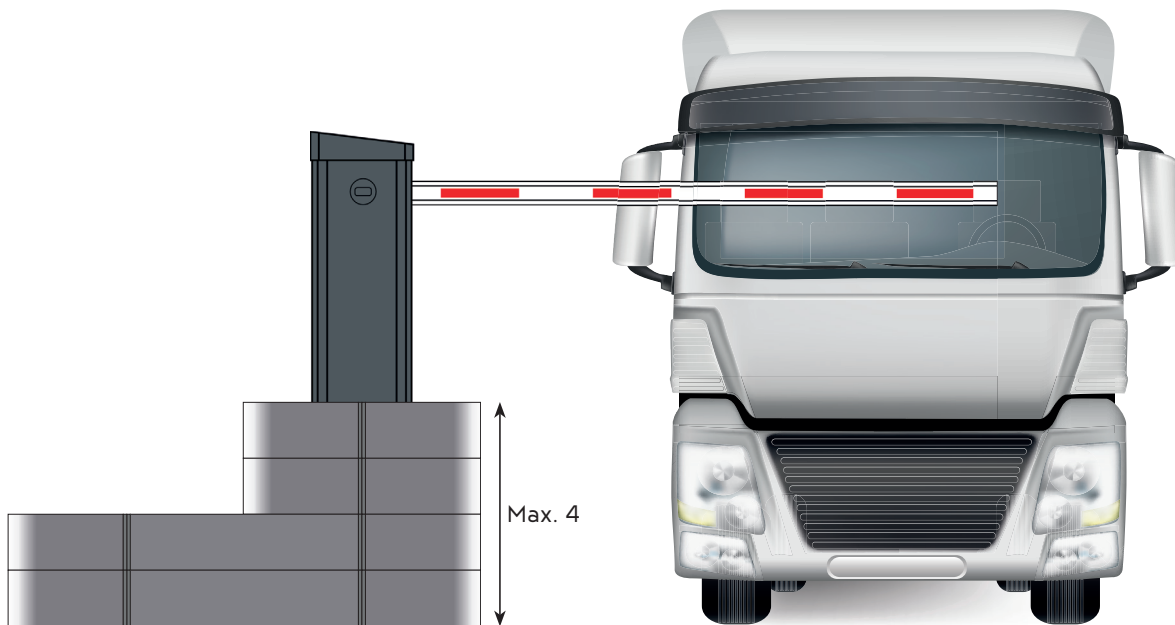


2 top pieces + 6 middle pieces  
Length = 4890 mm

## TRAFFIC ISLAND WITH 2 BOLLARDS, 2 ENTRY COLUMNS, 2 BARRIERS, AND 2 ANPR COLUMNS



2 top pieces + 8 middle pieces  
Length = 6290 mm



Technical specifications	
<b>Dimensions top piece</b>	L: 345 x H: 200 x B: 500 / 600 of 800 mm - 3 mm thick
<b>Weight top piece</b>	500 mm: 8,15kg / 600 mm: 9,35kg / 800 mm: 10,75kg
<b>Dimensions middle piece</b>	L: 700 x H: 200 x B: 500 / 600 of 800 mm - 3 mm thick
<b>Weight middle piece</b>	500 mm: 11,43kg / 600 mm: 12,40kg / 800 mm: 14,00kg
<b>Dimensions bollard</b>	H: 1200 or 2000 mm - ø 159 mm - 4 mm thick
<b>Weight bollard</b>	1200 mm: 18,36kg / 2000 mm: 33kg
<b>Weight bollard with base plate</b>	1200 mm: 22,10kg
<b>Material</b>	Galvanized steel
<b>Filling pieces</b>	Concrete
Article numbers	
Top pieces	
<b>Top piece 500 mm - galvanised</b>	5-110600-0013-000-032-40
<b>Top piece 600 mm - galvanised</b>	5-110600-0001-000-032-40
<b>Top piece 800 mm - galvanised</b>	5-110600-0011-000-032-40
<b>Top piece 500 mm - painted in RAL1023</b>	5-110600-0013-100-123-40
<b>Top piece 500 mm - painted in RAL1023</b>	5-110600-0001-100-123-40
<b>Top piece 500 mm - painted in RAL1023</b>	5-110600-0011-100-123-40
Middle pieces	
<b>Middle piece 500 mm - galvanised</b>	5-110600-0014-000-032-40
<b>Middle piece 500 mm - galvanised</b>	5-110600-0002-000-032-40
<b>Middle piece 500 mm - galvanised</b>	5-110600-0012-000-032-40
<b>Middle piece 500 mm - painted in RAL1023</b>	5-110600-0014-100-123-40
<b>Middle piece 500 mm - painted in RAL1023</b>	5-110600-0002-100-123-40
<b>Middle piece 500 mm - painted in RAL1023</b>	5-110600-0012-100-123-40
Bollards	
<b>Bollard 1200 mm high - galvanised</b>	5-110600-0003-000-032-40
<b>Bollard 2000 mm high - galvanised</b>	5-110600-0008-000-032-40
<b>Bollard 1200 mm high- painted in RAL1023</b>	5-110600-0003-100-123-40
<b>Bollard 2000 mm high- painted in RAL1023</b>	5-110600-0008-100-123-40
<b>Bollard with base plate 1200 mm high - galvanised</b>	1-120200-0004-000-032-40
<b>Bollard with base plate 1200 mm high - painted in RAL1023</b>	1-120200-0004-100-123-40
<b>End cap</b>	5-021009-0013-000

## TAILOR-MADE IN BELGIUM

Alphatronics is a **manufacturer** of customised perimeter security solutions with the flexibility to adapt security needs to a specific situation.

In-house development and production, modularly designed to integrate with other business processes.

It is in our DNA to **innovate** and in doing so, we always deliver the highest quality.

## SOFTWARE INTEGRATION

We feature a **very accessible RESTfull API**. This enables the integration of Alphatronics-supplied hardware devices and a third-party software solution.

## INSTALLATION AND SERVICE

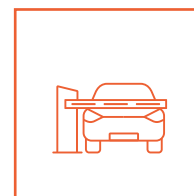
With more than **35 years of experience** in installation and service, we offer the expertise for perfect integration of your entire system.

A maintenance contract guarantees that the system will always be up and running.

The helpdesk with professional and fast service is always ready for support.

## COUNT ON ALPHATRONICS FOR

- an extensive and innovative product range
- creative and sophisticated solutions
- technical and commercial support
- project strategy
- excellence in system integration



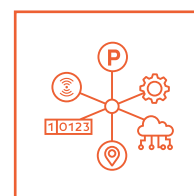
ACCESS FOR  
VEHICLES



ACCESS FOR  
PEDESTRIANS



OPERATING COLUMNS  
& PILLARS



API

